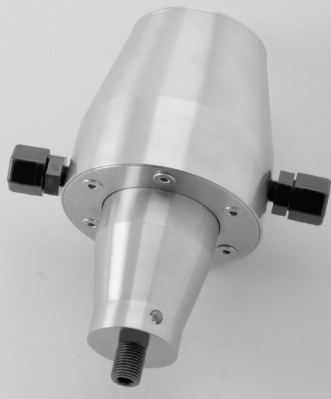


## Sonifier Cell Disruptor



## 1" Diameter High-Intensity Cup Horn

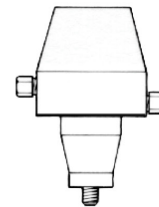
**DESCRIPTION:** Branson's water-jacketed cup horn ultrasonically processes samples in a test tube or a sealed vessel, thereby isolating the horn from the solution. One-piece solid titanium construction is utilized, allowing isolation of samples for treatment.

High-intensity cavitation is possible due to the horn's concaved shape. This design permits disruption of many cells and is used for emulsification, dispersion, creation of lipid vesicles, suspension, homogenization, and degassing.

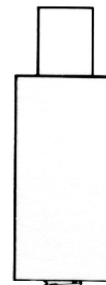
Approximate overall length:  
7" (180mm)

Body diameter:  
3-9/16" (91mm)

Cavity size:  
1-3/4" (43mm)



◀ **HIGH-INTENSITY CUP HORN FOR PROCESSING SINGLE SEALED VESSELS**  
(Part No. 101-147-046)



◀ **CONVERTER** receives electrical energy from power supply and converts to 20,000 Hz mechanical vibration.



▶ **POWER SUPPLY** provides electrical energy to converter which produces 20 kHz mechanical vibration.



For use with  
450 model only

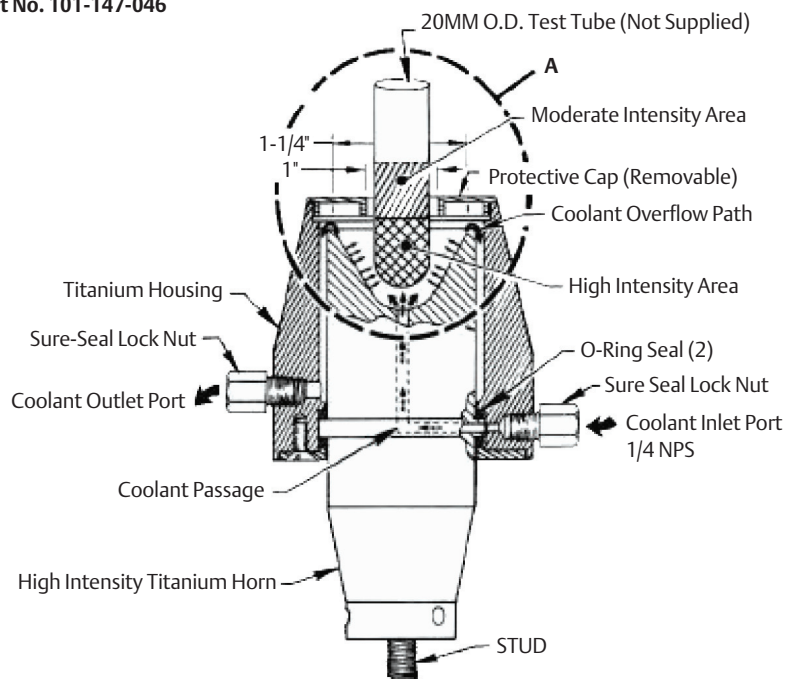
# Sonifier Cell Disruptor

## TYPICAL APPLICATIONS

- Blood chemistry
- HPLC solvent degassing
- Lipid vesicle preparation
- Pigment dispersion
- Tablet dispersion
- Tissue culture
- Waste homogenization
- Infectious solutions

## SONIFIER® CUP HORN

Part No. 101-147-046



# BRANSON

Branson Ultrasonics Corporation  
 41 Eagle Road, Danbury, CT 06813-1961  
 (203) 796-0400 • Fax: (203) 796-9838  
 www.bransonultrasonics.com  
 e-mail: info@bransonultrasonics.com

High Intensity © Branson Ultrasonics Corporation 2011  
 The Emerson logo is a trademark and service mark of Emerson Electric Co.  
 Revised and printed in the U.S.A. 9/2011